

3111102

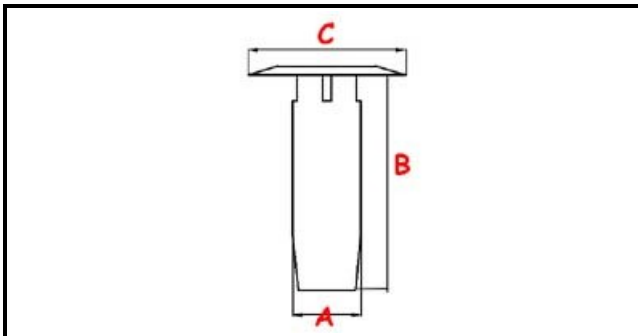
## OVERFLOW PIPE 35/40

Date: 10-03-2025



ORIGINAL  
**OSP**  
SPARE PARTS

### Technical data



HEIGHT MM	B=170mm
MATERIAL	PLASTICA/PLASTIC
UPPER DIAMETER	C=40mm
LOWER DIAMETER	A=21mm

### Manufacturer code

ELETTROBAR EUROTEC SRL