

1105256

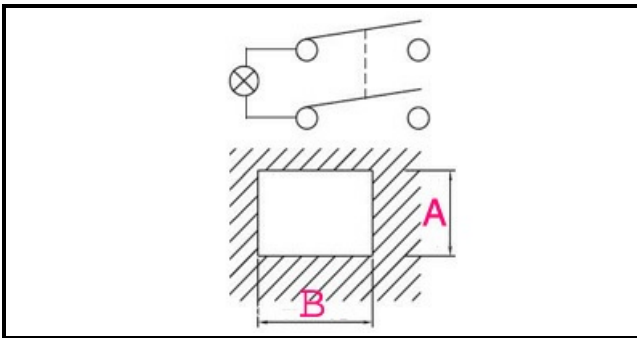
BIPOLAR SWITCH

Date: 08-04-2025



ORIGINAL
OSP
SPARE PARTS

Technical data



DEPTH MM	B=51mm
WIDTH MM	A=25mm
NUMBER OF POLES	POLI/POLES=4
NUMBER OF POSITIONS	0-1
COLOR	NERO CON LED/BLACK WITH LED
VOLT	250V

Manufacturer code

MBM- EUROTEC SRL -
MIGEL S.R.L.
SCOTSMAN ICE Srl.
Gruppo Cimbali S.p.A.
BAR LINE DIV. DELLA FRIMONT SPA
MIGEL S.R.L.