

1105319

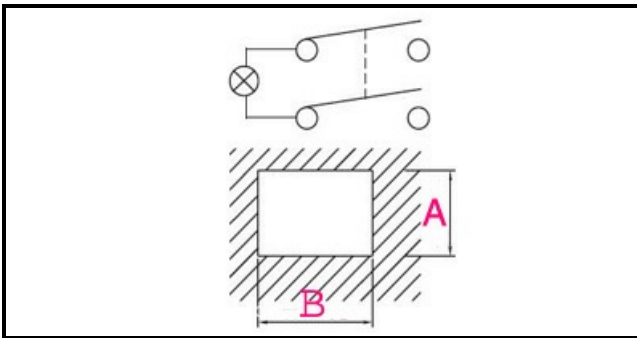
GREEN LUMINOUS BIPOLAR SWITCH PUSH 23619/1

Date: 05-04-2025



ORIGINAL
OSP
SPARE PARTS

Technical data



DEPTH MM	B=20mm
WIDTH MM	A=13mm
NUMBER OF POLES	POLI/POLES=4
NUMBER OF POSITIONS	0-1
COLOR	VERDE/GREEN
VOLT	250V

Manufacturer code

SCOTSMAN ICE Srl.
BREMA GROUP S.P.A.
N.T.F. SRL
EURFRIGOR - BRICE ITALIA SRL