

1105324

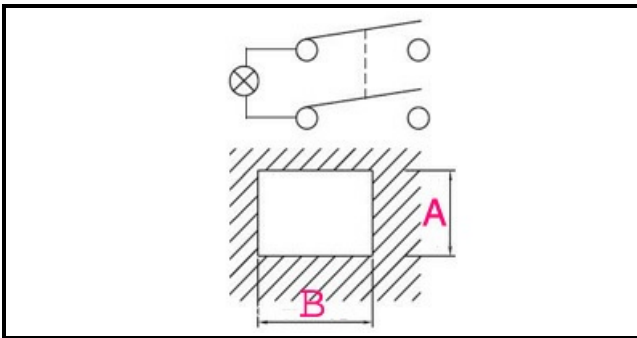
# GREEN SWITCH

Date: 10-03-2025



ORIGINAL  
**OSP**  
SPARE PARTS

## Technical data



DEPTH MM	B=20mm
WIDTH MM	A=13mm
NUMBER OF POLES	POLI/POLES=4
NUMBER OF POSITIONS	0-1
COLOR	VERDE/GREEN
VOLT	250V

## Manufacturer code

SCOTSMAN ICE Srl.

BAR LINE DIV. DELLA FRIMONT SPA