

1105459

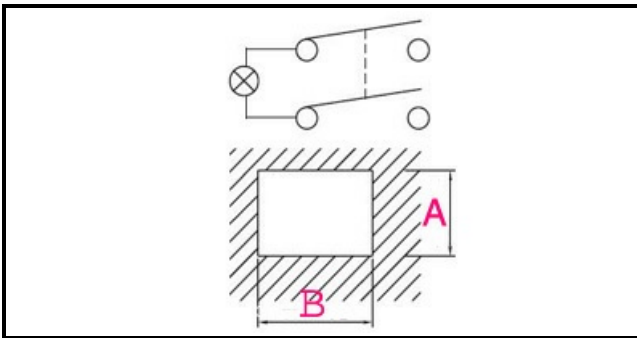
# GENERAL SWITCH ONE OR

Date: 10-03-2025



ORIGINAL  
**OSP**  
SPARE PARTS

## Technical data



DEPTH MM	B=20mm
WIDTH MM	A=13mm
NUMBER OF POLES	POLI/POLES=4
NUMBER OF POSITIONS	0-1
COLOR	ROSSO/RED
VOLT	250

## Manufacturer code

RANCILIO GROUP SPA CON SOCIO UNICO