

1105464

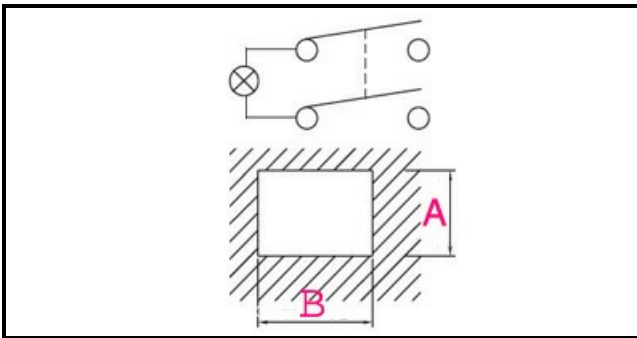
# TAP SWITCH BLUE

Date: 10-03-2025



ORIGINAL  
**OSP**  
SPARE PARTS

## Technical data



DEPTH MM	B=28mm
WIDTH MM	A=22mm
NUMBER OF POLES	POLI/POLES=4
NUMBER OF POSITIONS	0-1
COLOR	BLU/BLEUE
VOLT	230V

## Manufacturer code

LOTUS SPA