

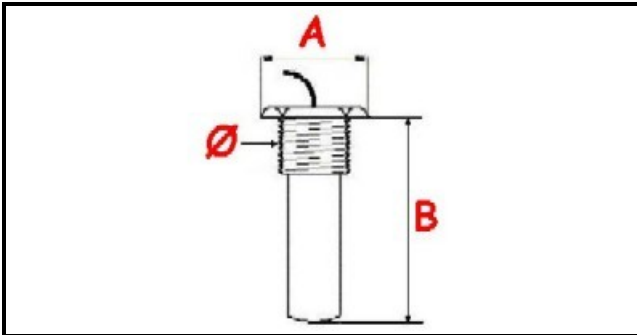
1106012

ADJUSTABLE THERMOSTAT 30-90 ° SINGLE PHASE - SENSOR Ø 17X48 mm CAPILLARY 600mm

Date: 06-04-2025



Technical data



MONOPHASE	MONOFASE/MONOPHASE
GAS THREAD	Ø=17mm
NUMBER OF POLES	POLI/POLES=3
MAXIMUM TEMPERATURE °	T max=50°
PROBE DIAMETER MM	A=21mm
PROBE LENGHT MM	B=48mm
GASKET	2102214
NUT	1141248

Manufacturer code

SILANOS SRL