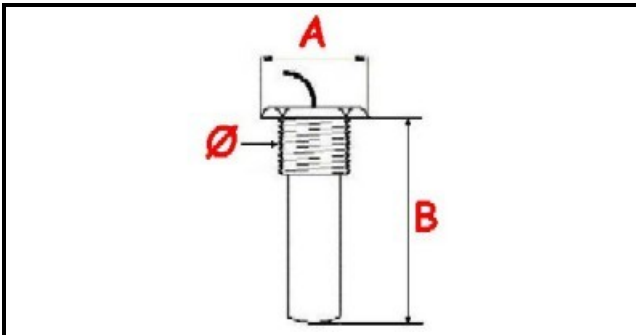


1106048

**ADJUSTABLE THERMOSTAT 70-170° SINGLE PHASE - SENSOR  
Ø14X30 mm CAPILLARY 1200mm**

Date: 15-11-2024

**Technical data**

MONOPHASE	MONOFASE/MONOPHASE
GAS THREAD	Ø=14mm
NUMBER OF POLES	POLI/POLES=2
MINIMUM TEMPERATURE °	T min=70°
MAXIMUM TEMPERATURE °	T max=170°
WIRE mm	L=800mm
PROBE DIAMETER MM	B=25mm
PROBE LENGHT MM	A=25mm
SHAFT mm	ALBERO/SHAFT=4X6mm