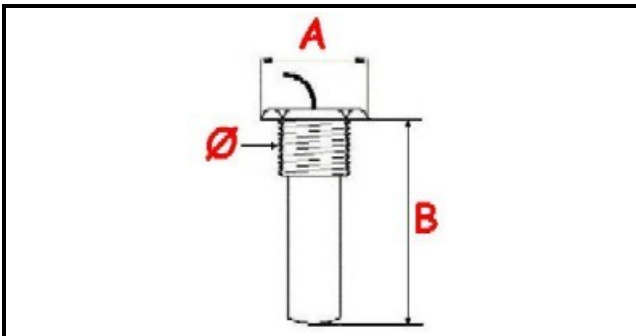


1106175

SAFETY THERMOSTAT A.PO 135?

Date: 22-01-2025

ORIGINAL
OSP
SPARE PARTS**Technical data**

THREE PHASE	TRIFASE/THREE PHASE
GAS THREAD	Ø=14mm
NUMBER OF POLES	POLI/POLES=6
MAXIMUM TEMPERATURE °	T max=135°
WIRE mm	L=1000mm
PROBE LENGHT MM	B=27,5mm

Manufacturer code

ANGELO PO GRANDI CUCINE SPA
ANGELO PO GRANDI CUCINE SPA
E.G.O. ELEKTRO GERATE AG